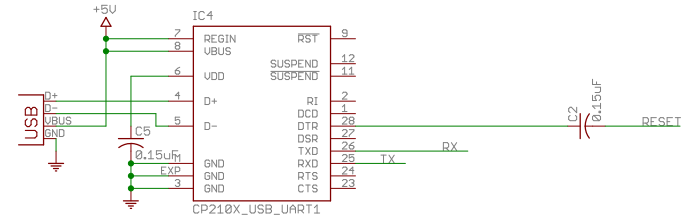
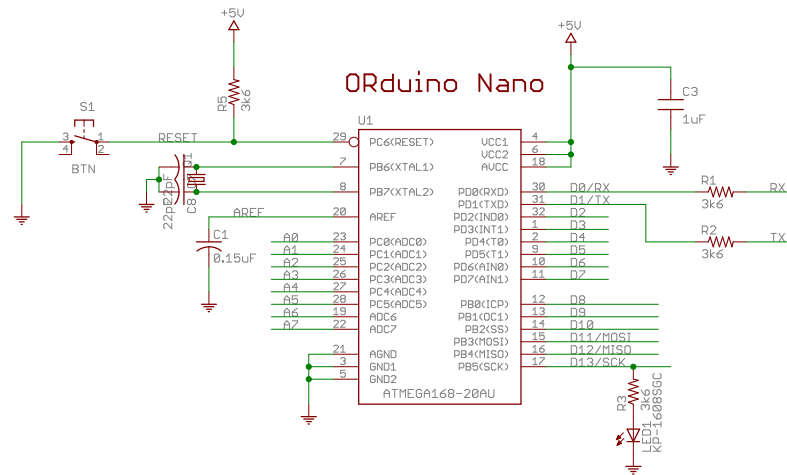
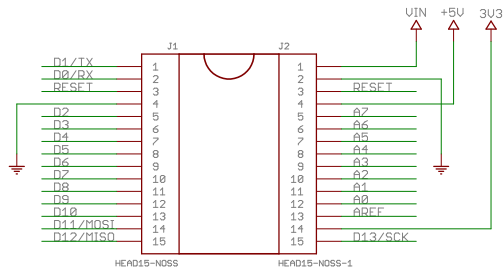


# ORduino Nano v1.1



TITLE: ORduino-Nano

Document Number:

REV:  
1.1

Date: 06.09.2010 23:28:21

Sheet: 1/1